

| | |
|-----------|--|
| PROJECT | |
| TYPE | |
| SPECIFIER | |
| QUANTITY | |
| DATE | |

HARMONY ELIPSE SUSPENSION

A51070-

| | | | |
|-------------|-------------|---------|----------|
| base number | Color | Finish | Diffuser |
| | Temperature | Options | Options |

- To build a product code in our configurator select the specify button on the base model # product page
- To build a manual product code on this datasheet choose from the options listed below in blue font and add the suffix to the base model #

GENERAL

| |
|----------------------------|
| Series: Harmony Elipse |
| Partner: Ivela |
| Division: Architectural |
| Installation: Suspension |
| Product Type: Panels |
| Mounting Location: Ceiling |
| Light Distribution: Direct |

PHYSICAL

| |
|---|
| Shape: Round |
| Length (mm): 1797 |
| Length (in): 70 3/4 |
| Width (mm): 677 |
| Width (in): 26 5/8 |
| Height (mm): 15 |
| Height (in): 9/16 |
| Max. Overall Height (mm): 2500 |
| Max. Overall Height (in): 98 7/16 |
| Diffuser: PMMA - Opal / Prismatic |
| Fixture Finish: WHI / BLK / GLD |
| Fixture Material: Aluminum |

ELECTRICAL

| |
|---|
| Lamp Type: LED |
| Input Wattage (W): 80 |
| Dimming: Tri-Mode (Non-Dimming and Phase Dimming (120Vac only) and 0-10V Dimming) |
| Driver Included: No |
| Driver Location: Remote |
| Driver Type: Constant Voltage - Universal |
| Driver Class: Class 2 |
| Housing: ENCP 5 (ERP) ENCP 8 (SC Power) |
| Input Voltage (V): 120 - 277 |
| Output Voltage (V): 24 |

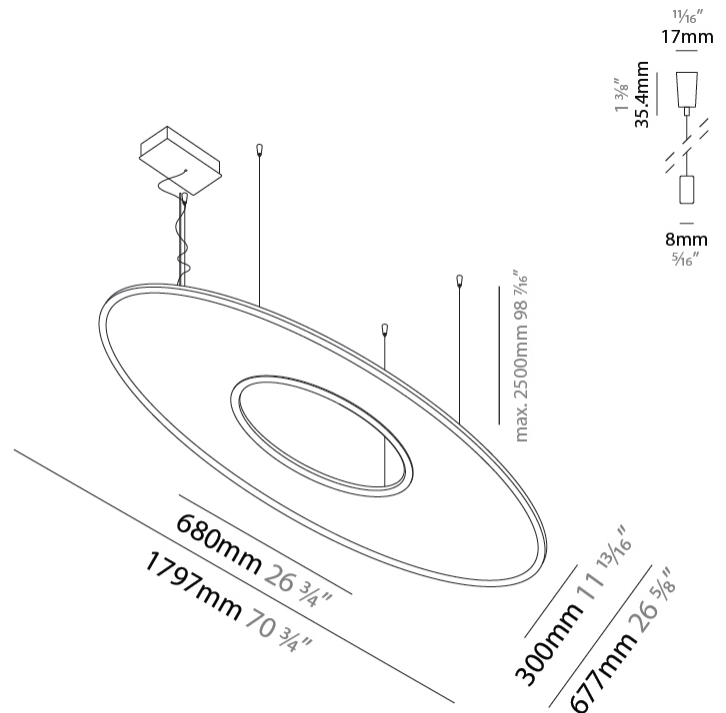
LED

| |
|---|
| Color Temperature (*K): 2700 / 3000 / 3500 / 4000 |
| Max. Delivered Lumen (lm): 8352 / 8700 / 8959 / 9222 |
| Nominal Lumen (lm): 13920 / 14500 / 14931 / 15370 |
| CRI: >93 CRI |
| Lamp Life (hrs): 50000 |

OPTICAL

RATINGS AND CERTIFICATIONS

| |
|--|
| Certified By: Certified for North American Standards |
| IP rating: IP20 |



HARMONY ELIPSE SUSPENSION

A51070-

| |
|-----------|
| PROJECT |
| TYPE |
| SPECIFIER |
| QUANTITY |
| DATE |



A

| | |
|-----------|-------|
| PROJECT | _____ |
| TYPE | _____ |
| SPECIFIER | _____ |
| QUANTITY | _____ |
| DATE | _____ |

HARMONY ELIPSE SUSPENSION

A51071-

| | | | |
|-------------|-------------|---------|----------|
| base number | Color | Finish | Diffuser |
| | Temperature | Options | Options |

- To build a product code in our configurator select the specify button on the base model # product page
- To build a manual product code on this datasheet choose from the options listed below in blue font and add the suffix to the base model #

GENERAL

| |
|----------------------------|
| Series: Harmony Elipse |
| Partner: Ivela |
| Division: Architectural |
| Installation: Suspension |
| Product Type: Panels |
| Mounting Location: Ceiling |
| Light Distribution: Direct |

PHYSICAL

| |
|-----------------------------------|
| Shape: Round |
| Length (mm): 2594 |
| Length (in): 102 1/8 |
| Width (mm): 970 |
| Width (in): 38 3/16 |
| Height (mm): 15 |
| Height (in): 9/16 |
| Max. Overall Height (mm): 2500 |
| Max. Overall Height (in): 98 7/16 |
| Diffuser: PMMA - Opal / Prismatic |
| Fixture Finish: WHI / BLK / GLD |
| Fixture Material: Aluminum |

ELECTRICAL

| |
|---|
| Lamp Type: LED |
| Input Wattage (W): 116 |
| Dimming: Tri-Mode (Non-Dimming and Phase Dimming (120Vac only) and 0-10V Dimming) |
| Driver Included: No |
| Driver Location: Remote |
| Driver Type: Constant Voltage - Universal |
| Driver Class: Class 1 |
| Housing: ENCP 10 |
| Input Voltage (V): 120 - 277 |
| Output Voltage (V): 24 |
| Upon Request: Phase Dimming |

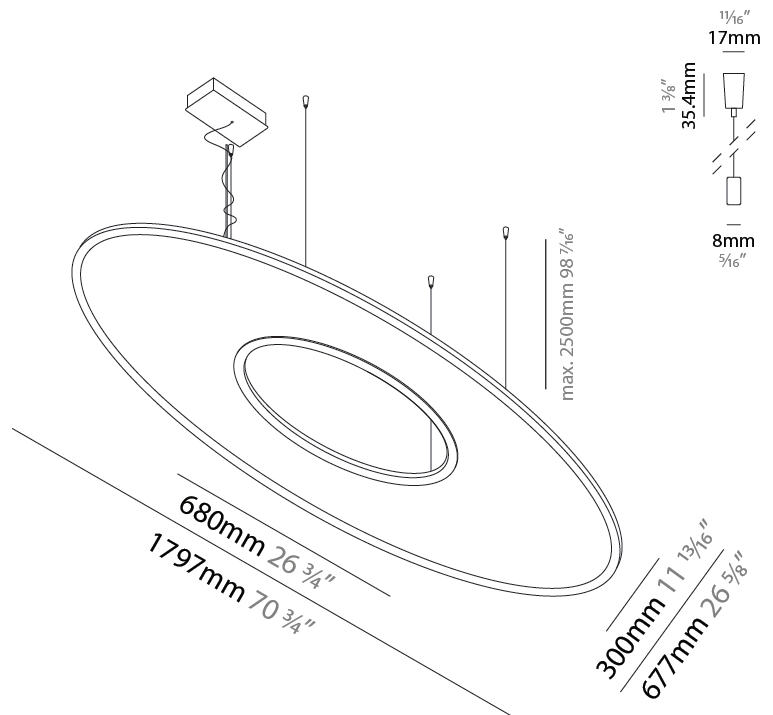
LED

| |
|--|
| Color Temperature (°K): 2700 / 3000 / 3500 / 4000 |
| Max. Delivered Lumen (lm): 8352 / 8700 / 8959 / 9222 |
| Nominal Lumen (lm): 13920 / 14500 / 14931 / 15370 |
| CRI: >93 CRI |
| Lamp Life (hrs): 50000 |

OPTICAL

RATINGS AND CERTIFICATIONS

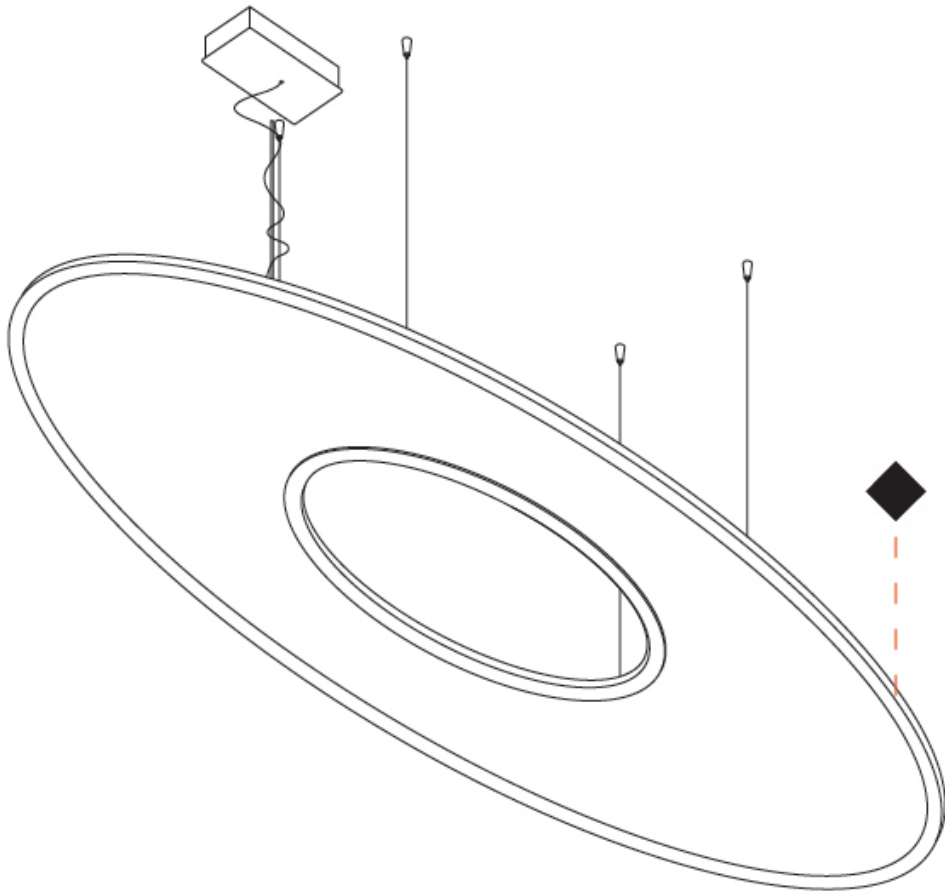
| |
|--|
| Certified By: Certified for North American Standards |
| IP rating: IP20 |



HARMONY ELIPSE SUSPENSION

A51071-

| | |
|-----------|-------|
| PROJECT | _____ |
| TYPE | _____ |
| SPECIFIER | _____ |
| QUANTITY | _____ |
| DATE | _____ |



A

| |
|-----------|
| PROJECT |
| TYPE |
| SPECIFIER |
| QUANTITY |
| DATE |

HARMONY ELIPSE SURFACE

| | | | |
|----------------|----------------------|-------------------|---------------------|
| A52041- | - | - | - |
| base number | Color Temperature | Finish Options | Diffuser Options |

- To build a product code in our configurator select the specify button on the base model # product page
- To build a manual product code on this datasheet choose from the options listed below in blue font and add the suffix to the base model #

GENERAL

| |
|----------------------------|
| Series: Harmony Elipse |
| Partner: Ivela |
| Division: Architectural |
| Installation: Surface |
| Product Type: Panels |
| Mounting Location: Ceiling |
| Light Distribution: Direct |

PHYSICAL

| |
|---|
| Shape: Oval |
| Length (mm): 1797 |
| Length (in): 70 ³ / ₄ |
| Width (mm): 677 |
| Width (in): 26 ⁵ / ₈ |
| Height (mm): 15 |
| Height (in): 9/16 |
| Diffuser: PMMA - Opal / Prismatic |
| Fixture Finish: WHI / BLK / GLD |
| Fixture Material: Aluminum |

ELECTRICAL

| |
|---|
| Lamp Type: LED |
| Input Wattage (W): 80 |
| Dimming: Tri-Mode (Non-Dimming and Phase Dimming (120Vac only) and 0-10V Dimming) |
| Driver Included: No |
| Driver Location: Remote |
| Driver Type: Constant Voltage - Universal |
| Driver Class: Class 2 |
| Housing: ENCP 5 (ERP) ENCP 8 (SC Power) |
| Input Voltage (V): 120 - 277 |
| Output Voltage (V): 24 |

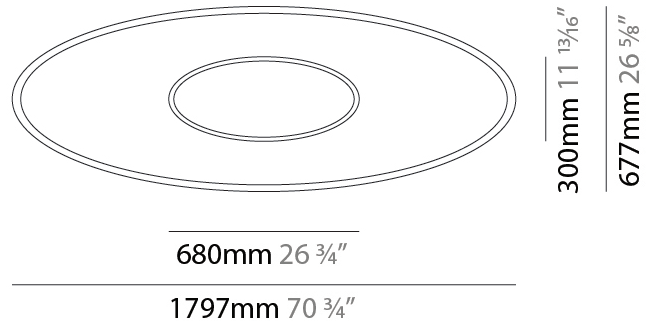
LED

| |
|--|
| Color Temperature (°K): 2700 / 3000 / 3500 / 4000 |
| Max. Delivered Lumen (lm): 5760 / 6000 / 6178 / 6360 |
| Nominal Lumen (lm): 9600 / 10000 / 10298 / 10600 |
| CRI: >93 CRI |
| Lamp Life (hrs): 50000 |

OPTICAL

RATINGS AND CERTIFICATIONS

| |
|---|
| Certified By: CSA Certified to UL and CSA Standards |
| IP rating: IP20 |



HARMONY ELIPSE SURFACE

A52041-

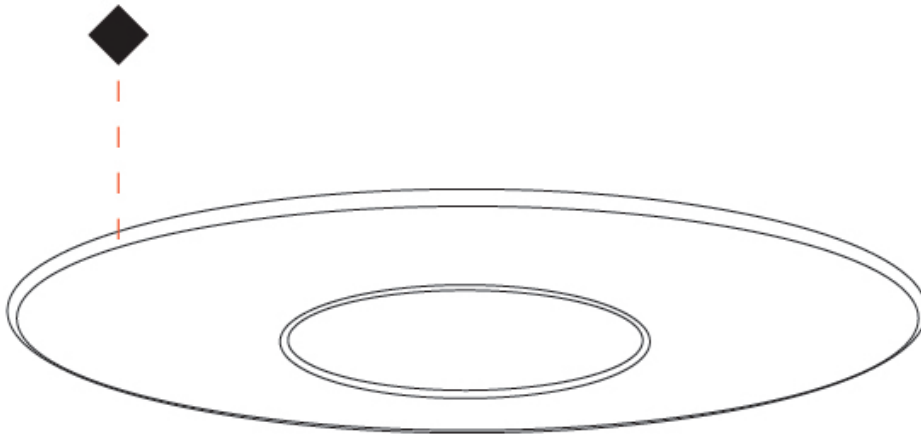
PROJECT

TYPE

SPECIFIER

QUANTITY

DATE



| |
|-----------|
| PROJECT |
| TYPE |
| SPECIFIER |
| QUANTITY |
| DATE |

HARMONY ELIPSE SURFACE

A52042-

| | | | |
|-------------|-------------|---------|----------|
| base number | Color | Finish | Diffuser |
| | Temperature | Options | Options |

- To build a product code in our configurator select the specify button on the base model # product page
- To build a manual product code on this datasheet choose from the options listed below in blue font and add the suffix to the base model #

GENERAL

| |
|----------------------------|
| Series: Harmony Elipse |
| Partner: Ivela |
| Division: Architectural |
| Installation: Surface |
| Product Type: Panels |
| Mounting Location: Ceiling |
| Light Distribution: Direct |

PHYSICAL

| |
|-----------------------------------|
| Shape: Oval |
| Length (mm): 2594 |
| Length (in): 102 1/8 |
| Width (mm): 970 |
| Width (in): 38 3/16 |
| Height (mm): 15 |
| Height (in): 9/16 |
| Diffuser: PMMA - Opal / Prismatic |
| Fixture Finish: WHI / BLK / GLD |
| Fixture Material: Aluminum |

ELECTRICAL

| |
|---|
| Lamp Type: LED |
| Input Wattage (W): 116 |
| Dimming: Tri-Mode (Non-Dimming and Phase Dimming (120Vac only) and 0-10V Dimming) |
| Driver Included: No |
| Driver Location: Remote |
| Driver Type: Constant Voltage - Universal |
| Driver Class: Class 1 |
| Housing: ENCP 10 |
| Input Voltage (V): 120 - 277 |
| Output Voltage (V): 24 |
| Upon Request: Phase Dimming |

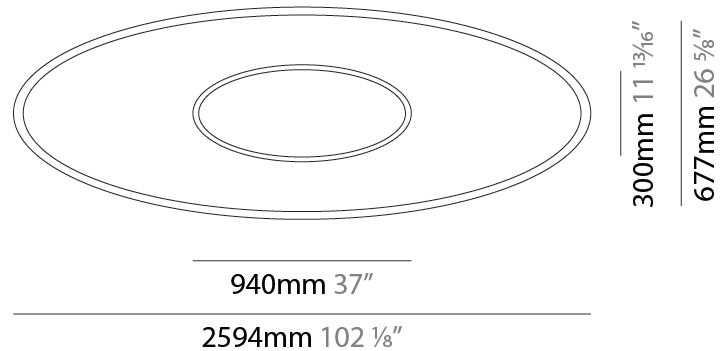
LED

| |
|--|
| Color Temperature (°K): 2700 / 3000 / 3500 / 4000 |
| Max. Delivered Lumen (lm): 8352 / 8700 / 8959 / 9222 |
| Nominal Lumen (lm): 13920 / 14500 / 14931 / 153700 |
| CRI: >93 CRI |
| Lamp Life (hrs): 50000 |

OPTICAL

RATINGS AND CERTIFICATIONS

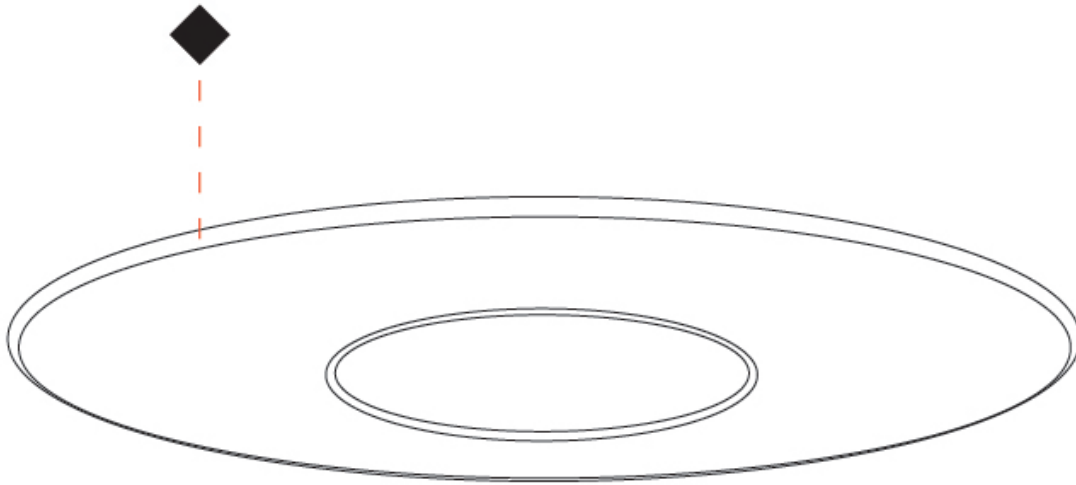
| |
|---|
| Certified By: CSA Certified to UL and CSA Standards |
| IP rating: IP20 |



HARMONY ELIPSE SURFACE

A52042-

| | |
|-----------|-------|
| PROJECT | _____ |
| TYPE | _____ |
| SPECIFIER | _____ |
| QUANTITY | _____ |
| DATE | _____ |



HARMONY ELIPSE COLOR FINISH CHART

PROJECT

TYPE

SPECIFIER

QUANTITY

DATE

Fixture Finish

White - WHI



Black - BLK



Gold - GLD



Digital: Not all screens are calibrated the same, and therefore, colors will appear differently between screens.

Physical: When texture is involved, there will be variations in color, character and tone within a product series and between product families.



LEGEND

| | | | | | |
|--|---|--|--|--|--|
| | floor-mounted | | pivotable | | special LED (upon request) RGB, RGBW, tunable, gold+, meat+, art+, fashion+ |
| | wall and ceiling: recessed and surface mounted | | rotating | | warm dim / natural dimming LED |
| | ceiling-mounted and wall-mounted | | illuminate tilted | | rechargeable battery powered |
| | wall-mounted | | color of suspension cable | | fixture with natural vivid LED (upon request) |
| | omni-directional light distribution | | length of suspension cable | | color rendering index |
| | direct light distribution | | reflector degree selection | | color temperature |
| | direct/indirect light distribution | | super spot | | lumen (luminous flux) |
| | indirect light distribution | | lens | | efficacy (lumens per watt) |
| | asymmetric light distribution | | lens pack | | Unified Glare Rating (UGR) range from 5-40 |
| | aura light distribution | | shine ring | | marine grade (AISI 316 stainless steel) |
| | round wall or ceiling cut-out | | integrated shine ring with diffuser | | walk on |
| | square wall or ceiling cut-out | | free individual colors 01-29 | | drive on |
| | the supplied jig specifies the cutout dimensions | | individual colors: 00 (free of charge), 01-25 (extra charge) | | Dark Sky Compliance |
| | minimum distance (meters) lamp - object | | luminaire part to be colored (F1) | | Americans with Disabilities Act (less than 4" off the wall located between 27"-84" from floor) |
| | recessed depth | | luminaire part to be colored (F2) | | lamp protected against explosion |
| | ceiling thickness in mm | | luminaire part to be colored (F3) | | blown glass using traditional methods by master glass blower |
| | ceiling thickness selection | | luminaire part to be colored (F4) | | acoustic material |
| | dimmable DP (phase), DV (0-10V), DD (dali), DS (step-dim) | | luminaire part to be colored (F5) | | protection class I, protection insulation |
| | included or excluded LED driver/transformer/control gear | | color of 3-circuit adaptor | | protection class II, protection insulation |
| | separately switchable | | indirect diffuser | | ETL Certified to UL and CSA Standards |
| | sensor | | direct diffuser | | UL Certified to UL and CSA Standards |
| | remote control | | ball-proof (upon request) | | CSA Certified to UL and CSA Standards |
| | available upon request | | accessory | | Certified for North American Standards |

IP RATING

| | |
|--|--|
| | protected against ingress of solid bodies greater than 12.5mm (finger) |
| | protected against ingress of solid bodies greater than 2.5mm protected against sprays of water up to 60 degrees from the vertical (rain) |
| | protected against ingress of solid bodies greater than 1mm (wire) no protection against the ingress of moisture |
| | protected against ingress of solid bodies greater than 1mm (wire) protected against sprays of water up to 60 degrees from the vertical (rain) |
| | protected against ingress of solid bodies greater than 1mm (wire) protected against water splashed from all directions |
| | protected against limited ingress of dust (wet rooms/covered outdoor areas) protected against water splashed from all directions |
| | protected against ingress of dust protected against jets of water |
| | protected against ingress of dust protected against powerful jets of water or heavy seas |
| | protected against ingress of dust protected against immersion of water between 15cm - 1m for 30 minutes |
| | protected against ingress of dust protected against immersion of water under pressure for long periods |

IK RATING

| | |
|--|---|
| | protected against 0.14 joules impact (equivalent to 0.25kg mass dropped from 56mm above the surface) |
| | protected against 0.2 joules impact (equivalent to 0.25kg mass dropped from 80mm above the surface) |
| | protected against 0.35 joules impact (equivalent to 0.25kg mass dropped from 140mm above the surface) |
| | protected against 0.5 joules impact (equivalent to 0.25kg mass dropped from 200mm above the surface) |
| | protected against 0.7 joules impact (equivalent to 0.25kg mass dropped from 280mm above the surface) |
| | protected against 1 joules impact (equivalent to 0.25kg mass dropped from 400mm above the surface) |
| | protected against 2 joules impact (equivalent to 0.5kg mass dropped from 400mm above the surface) |
| | protected against 5 joules impact (equivalent to 1.7kg mass dropped from 300mm above the surface) |
| | protected against 10 joules impact (equivalent to 5.0kg mass dropped from 200mm above the surface) |
| | protected against 20 joules impact (equivalent to 5.0kg mass dropped from 400mm above the surface) |